



Pope Scientific, Inc.
351 N. Dekora Woods Blvd.
P.O. Box 80018
Saukville, WI 53080 USA
(262) 268-9300 • Fax: (262) 268-9400
www.popeinc.com • e-mail: info@popeinc.com

Pope 6" Wiped-Film Stills Parts List (Effective January 1, 2019)

MOLECULAR STILL VERSION:

- Part No. 40403-01 Six-Inch Molecular Still, complete with variable speed drive mechanism (wetted parts 316 stainless steel), self supporting still stand, standard glass still body, glass internal condenser, 6000 ml glass graduated feed and degasser flask with stopper, 5000 ml glass distillate receiver flask, 5000 ml glass residue receiver flask, glass cold trap, 316 stainless steel wiper retainer, Teflon wiper blades, 120 VAC, 50/60 Hz. **IMPORTANT: Select heating system from options below.**
- Part No. 40403-02 Six-inch Molecular Still, same as Part No. 40403-01, except that glass jacketed still body with removable fiberglass insulating mantle replaces standard glass still body. **For use with heat transfer fluids. WARNING: Glass jacket cannot be pressurized!**
***NOTE:** Heat transfer fluid and recirculating heating system are not included in price. If requested, Pope Scientific will quote and supply a recirculating heating system with oil, hoses, adapters, etc.

CONCENTRATOR/EVAPORATOR VERSION:

- Part No. 40418-01 Six-Inch Evaporator, complete with variable speed drive mechanism (wetted parts 316 stainless steel), self supporting still stand, standard glass body, funnel bottom adapter, glass external condenser with stopper, (dry ice trap optional), 6000 ml graduated feed and degasser flask, 5000 ml distillate receiver flask, 5000 ml concentrate receiver flask, 316 stainless steel wiper retainer, Teflon wiper blades, 120 VAC, 50/60 Hz. **IMPORTANT: Select heating system from options below.**
- Part No. 40418-02 Six-inch Evaporator, same as Part No. 40418-01, except that glass jacketed still body with removable fiberglass insulating mantle replaces standard glass still body. **For use with heat transfer fluids. WARNING: Glass jacket cannot be pressurized! (*See NOTE above)**

HEATING SYSTEM OPTIONS:

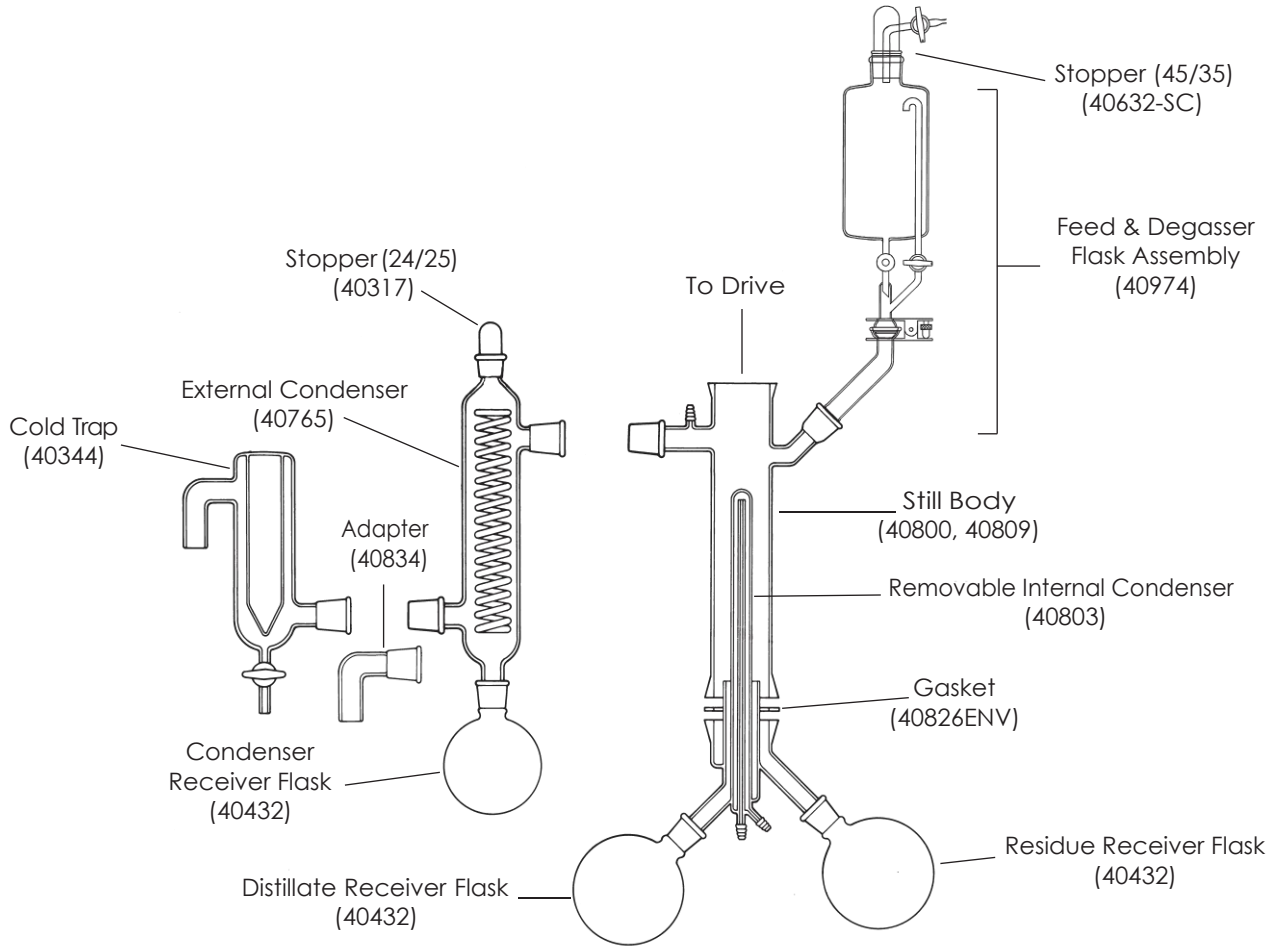
- Part No. 40787 Silicone Rubber Heater with fastener, built-in thermocouple and insulating jacket. For temperatures up to **200°C.** (240 VAC, 50/60 Hz, 2850 W). **Use controller No. 40854-CJ.**
- Part No. 40784-G1 Metal Band Heater Set with high temperature cordset, "J" thermocouple and insulating jacket, installed. For temperatures up to **375°C.** (240 VAC, 50/60 Hz, 8400 W). **Use controller No. 40737-CJ.**
- Part No. 40784-G2 Metal Band Heater Set, same as above, except with two heating zones, upper and lower. Includes 2 ea. cordsets and thermocouples. Provides optimal heat distribution. (240 VAC, 50/60 Hz, 4200 W per zone). **NOTE: Requires 2 ea. Part No. 40854-CJ controllers, below.**
- Part No. 40854-CJ Digital Temperature Controller with automatic tuning of proportional band, integral time and derivative time parameters. Setpoint and process displays. **For use with Part Nos. 40787 or 40784-G2, above.** (Maximum output rating: 240 VAC, 50/60 Hz, 20A)
- Part No. 40737-CJ Digital Temperature Controller, similar to Part No. 40854-CJ. **For use with Part No. 40784-G1, above.** (Maximum output rating: 240 VAC, 50/60 Hz, 35A) (Note: provided with 40A fuse, 240 VAC, 1 ph, 50A plug)

IMPORTANT

In addition to components listed herein, various custom modifications can be quoted. Complete turnkey pilot and processing plants are offered in a full range of sizes, and in alternate materials including Stainless Steel, Hastelloy, etc. Consult Pope Scientific. ALL 120 VOLT ITEMS ARE ALSO AVAILABLE IN 240 VOLT (220-240 VOLTS), 50/60 HZ, 1-PH VERSIONS. ADD SUFFIX "-240" TO END OF PART NUMBERS. CONTACT POPE REGARDING ALTERNATE POWER AND AREA CLASSIFICATION REQUIREMENTS.

6" WIPED-FILM STILL

STANDARD & OPTIONAL REPLACEMENT PARTS



PART NO.	DESCRIPTION	PRICE
40800	6" Glass Still Body, without Internal Condenser, with 6" conical pipe flange at bottom	
40809	6" Jacketed Glass Still Body, without Internal Condenser, with 6" conical pipe flange at bottom (Insulating Mantle, Part No. 40668, available for this body)	
40803	Removable All Glass Internal Condenser and Outlets for 6" Still, with 6" Conical Pipe Flange	
40826ENV	Teflon Gasket, Still Body to Internal Condenser	
40974	6000 ml Graduated Feed & Degasser Flask, New Style, with Pinch Clamp and Inlet Adapter (Stopper not included) (used on Part Nos. 40403 and 40418)	
40632-SC	Stopper for Feed Flask (with venting/liquid additions stopcock) (supplied with Part Nos. 40403, 40418)	
40318	500 ml Receiver Flask for smaller batches. (4 Used on Accessory Part No. 40350)	
40406	1000 ml Receiver Flask for smaller batches	
40339	2000 ml Receiver Flask for smaller batches	
40432	5000 ml Receiver Flask (2 Used on Part Nos. 40403 and 40418)	
40344	Cold Trap (Used On Part No. 40403)	
40765	External Condenser with 24/25 Stopper (Used on Part No. 40418)	
40317	Stopper for External Condenser (24/25)	
40834	Adapter, External Condenser to Vacuum System (Used On Part No. 40418)	
40345	Segmented Teflon Wipers (Set of 32) (0 - 250°C)	
40366	Segmented Carbon Wipers (Set of 32) (Over 250°C)	

Note: For parts not listed, or for special modifications, contact Pope Scientific, Inc.

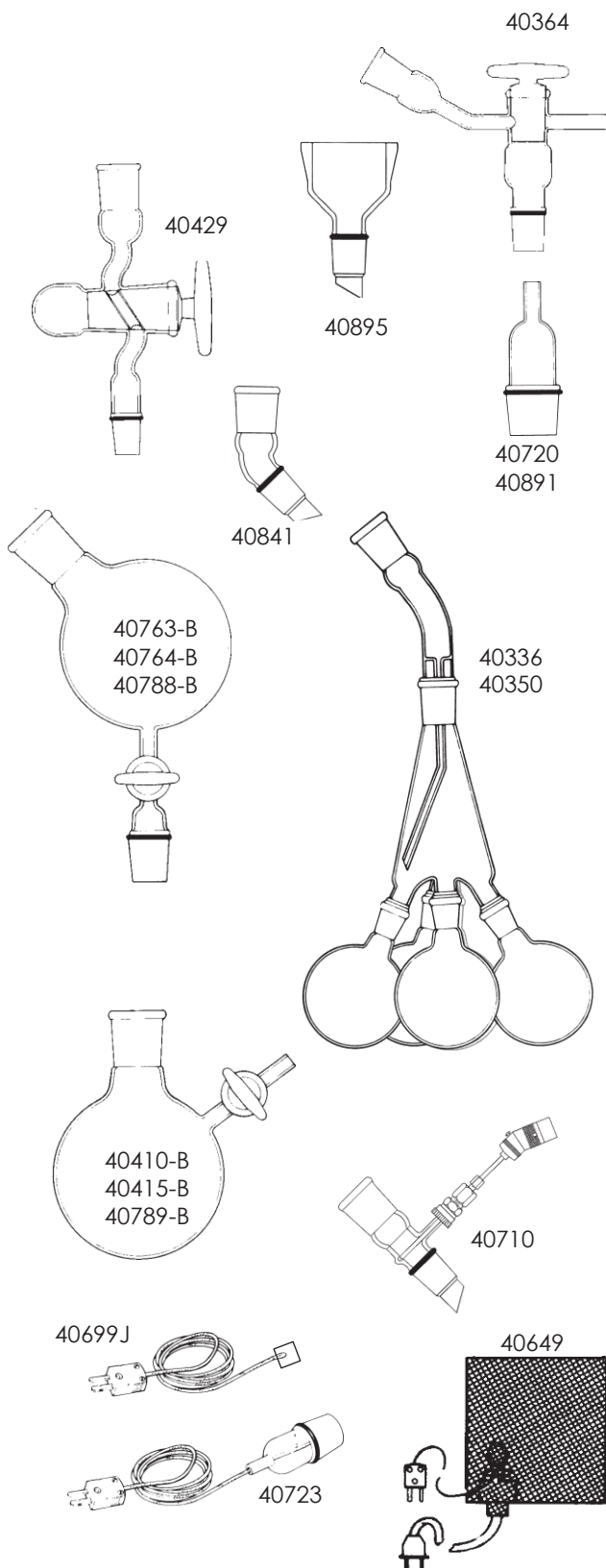
6" WIPED-FILM STILL ACCESSORIES PARTS LIST

ACCESSORY GLASS COMPONENTS

Part No.	Description	Price/Ea.
40895	Funnel Bottom Adapter, 6" Conical to 24/25M. Allows use of Standard Receivers with 6" Still Body (no Internal Condenser) (incl. with Part No. 40418)	
40336	Multiple Flask Receiver, Rotatable, Incl. 4-200 ml Flasks	
40350	Multiple Flask Receiver, Rotatable, with 4-500ml Flasks	
40364	Stopcock Adapter for Still Outlets, 45° Angle, with 6 mm 3-way Stopcock	
40429	8 mm Bore Stopcock Adapter for External Condenser, to permit isolation of Receiver Flask when Removing Condensate	
40788-B	1000 ml Receiver Flask with Vacuum Stopcock (6 mm bore) and 28/15 Ball Joint at Bottom – when used with Part Nos. 40789-B or 40410-B, permits removal of distillate or residue without interrupting operation.	
40763-B	2000 ml Receiver Flask with 6 mm Vacuum Stopcock and 28/15 Ball Joint at Bottom - when used with Part Nos. 40410-B or 40415-B permits removal of distillate or residue without interrupting operation	
40764-B	5000 ml Receiver Flask with 8 mm Vacuum Stopcock	
40789-B	1000 ml Receiver Flask with 28/15 socket joint on top and 4mm vacuum take-off stopcock	
40410-B	2000 ml Receiver Flask with Vacuum Take-off Stopcock	
40415-B	5000 ml Receiver Flask with Vacuum Take-Off Stopcock	
40720	Adapter, Feed Pump, to Still Body - 24/25M Joint to 1/4" OD Tubing (replaces Feed & Degasser Flask)	
40891	Adapter, Feed Pump, 24/25M to 3/8" OD Tubing	
40841	45° Elbow, 24/25M to 24/25F	

ACCESSORY HEATING SYSTEM COMPONENTS

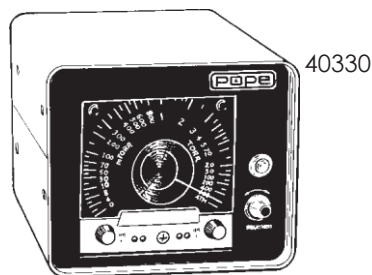
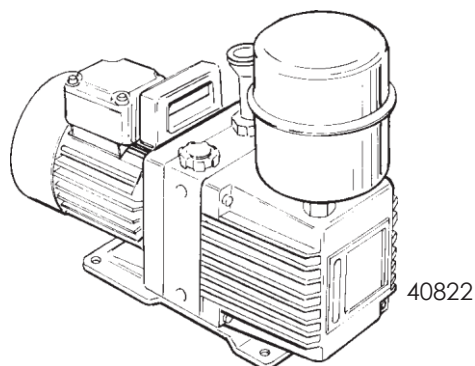
Part No.	Description	Price/Ea.
40731-CJ	Digital Temperature Controller with setpoint and process displays. For use with silicone rubber heater or heat tracing tape below. (Latter requires addition of Part No. 40699-J thermocouple) (Maximum output rating 120 VAC, 50/60 Hz, 15 A)	
40724	Heat Controller for non-critical feed/degasser flask or heat tracing tape applications. Manual intervalometer adjustment, no temperature feedback or display. (Maximum output rating: 120 VAC, 50/60 Hz, 12 A)	
40726-S	Heat Tracing Tape for feed inlet or product outlet sections. Heavy braided glass yarn covering. Easily applied and removed. (120 VAC, 50/60 Hz, 415 W)	
40699J	Type J Thermocouple Assembly, surface type	
40710	Product Discharge J Thermocouple Assembly with 24/25 Adapter	
40723	Type J Thermocouple Assembly, with 24/25M joint. (Typically used with external condenser)	
40649	Silicone Rubber Heater and Type J Thermocouple for 6000 ml Feed and Degasser Flask (120 VAC, 50/60 Hz, 1000 W)	
40671	Insulating Jacket for 6000 ml Feed and Degasser Flask Silicone Rubber Heater (not illustrated)	



ALL 120 VOLT ITEMS ARE ALSO AVAILABLE IN 240 VOLT (220-240 VOLTS), 50/60 HZ, 1-PH VERSIONS. ADD SUFFIX "-240" TO END OF PART NUMBERS. CONTACT POPE REGARDING ALTERNATE POWER REQUIREMENTS.

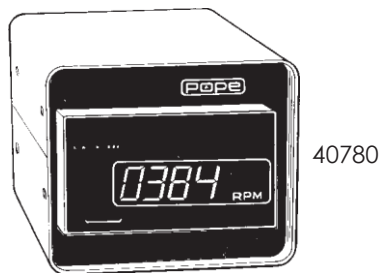
Pope 6" Wiped-Film Stills

ACCESSORY VACUUM SYSTEM COMPONENTS



Part No.	Description	Price/Ea.
40822	Mechanical Rotary Vane Vacuum Pump System for medium vacuum range (to 0.05 Torr), with stainless steel fittings for attachment to 6" Wiped-Film Still; 14.7 CFM free air displacement. Includes oil mist eliminator and vacuum tubing. 3/4 HP, 120 or 240 VAC, 50/60 Hz. (Additional specifications upon request)	
40823	Mechanical Rotary Vacuum Pump/Oil Diffusion Pump System for high vacuum range (to 0.001 Torr), with manual backing/roughing valve and stainless steel fittings for attachment to 6" Wiped-Film Still; 10 CFM free air displacement (mechanical pump), 135 liters/second (diffusion pump). Includes oil mist eliminator and vacuum tubing. 3/4 HP, 120 or 240 VAC, 50/60 Hz. (Additional specifications upon request)	
40816	Manual bleed valve assembly for controlling and venting vacuum. Includes mounting on vacuum pump	
40626	Diffusion Pump Oil, 500 ml.	
40330	Vacuum gauge Pirani type, range 0.001 Torr to 1000 Torr (120 VAC, 50/60 Hz). Highly recommended for efficient processing	

MISCELLANEOUS ACCESSORIES



Part No.	Description	Price/Ea.
40780	Digital RPM Indicator for Still Drive (120 VAC, 50/60 Hz)	
40976-NS	Metering valve replacement stem for new style Feed & Degasser Flask	
40975	Inlet Adapter for 1 and 2-L Feed & Degasser Flask	
40975-EX	Inlet Adapter for 4 and 6-L Feed & Degasser Flask	
40977	Pinch Clamp for new style Feed & Degasser Flask	
40750	Six-Inch Still Replacement Parts Kit, including Gear Drive Belt, Spare Viton O-rings and Gasket	

ALL 120 VOLT ITEMS ARE ALSO AVAILABLE IN 240 VOLT (220-240 VOLTS), 50/60 HZ, 1-PH VERSIONS. ADD SUFFIX "-240" TO END OF PART NUMBERS. CONTACT POPE REGARDING ALTERNATE POWER REQUIREMENTS.

Pope Scientific, Inc.
Solution Driven

351 N. Dekora Woods Blvd.
P.O. Box 80018
Saukville, Wisconsin 53080 USA
Telephone: (262) 268-9300 • Fax: (262) 268-9400
www.popeinc.com • e-mail: info@popeinc.com